



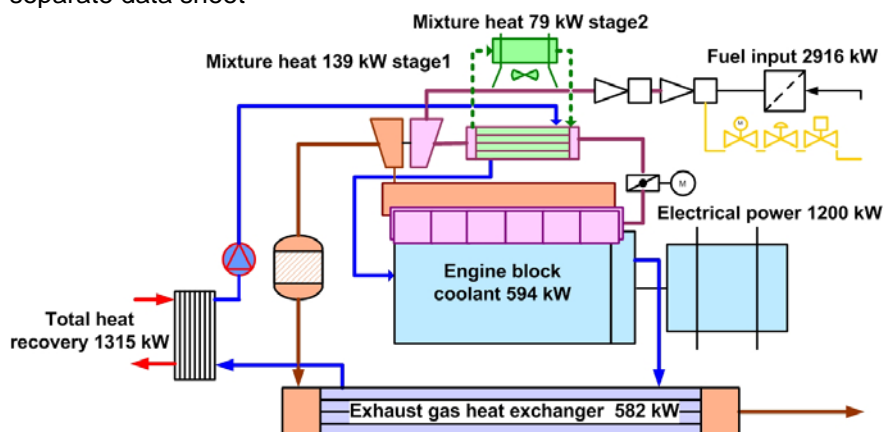
Specifications	Natural gas CHP	FMB-1500-GSMK
----------------	-----------------	---------------

Issue: 06.2010\_001 data sheet

Engine specification		
Manufacturer		Guascor
Type		HGM560/55
Speed	min <sup>-1</sup>	1500
Displacement	Liter	56,0
Number of cylinders		16 / V 60°
Aspiration	Lean burn engine turbo charged and 2 stage mixture cooling	
Generator		400V ~ / 50Hz / synchronous

Performance data		100 %	75 %	50 %
Electrical power ) <sup>1</sup>	kW	1.200	900	600
Total heat recovery ) <sup>2</sup>	+/- 8% kW	1.315	1.046	777
-Exhaust gas heat	+/- 8% kW	582	463	347
-Coolant heat	+/- 8% kW	594	462	316
-Mixture heat	+/- 8% kW	139	121	115
Fuel input	+/- 5% kW	2.916	2.252	1.599
Consumption natural gas (Hu 10,02 kWh / Nm <sup>3</sup> )	+/- 5% Nm <sup>3</sup> / h	290,9	224,4	159,5
Electrical efficiency	%	41,2	40,0	37,5
Thermal efficiency	%	45,1	46,5	48,6
Total efficiency	%	86,3	86,5	86,1
CHP coefficient		0,91	0,86	0,77

System parameters		
Flow temperature	max. °C	90
Return temperature	max. °C	70
Gas connection	DN / PN	On request
Heating water connection	DN / PN	"
Exhaust gas connection	DN / PN	"
Mixture cooling connection	DN / PN	"
Air requirement combustion + ventilation	Nm <sup>3</sup> / h	27.203
Noise level with housing	1m distance	70 dB(A)
Main dimensions (approx.)	L x W x H [m]	5,7 x 2,20 x 3,0
Weight (approx.)	kg	15.500
Gas composition	separate data sheet	



)<sup>1</sup> at 50 Hz, U=0,4 KV, pf = 1      )<sup>2</sup> at exhaust gas temperature 120°  
 NOx < 500 mg/Nm<sup>3</sup>, (Engine adjustment for 250 mg/Nm<sup>3</sup> possible with deviating efficiency), CO < 300 mg/Nm<sup>3</sup>  
 Reference conditions: Combustion air / ambient temperature >+5°C / <+27 °C; Altitude at site <300 m